

#### DESCRIPTION

The 6603A multi-purpose fluid sprayer is an industrial quality sprayer manufactured with highly resistant materials for use with animal and vegetable oils, hydrocarbon based solvents, lubricants and petroleum products in applications such as brake cleaning, tar removal from vehicle bodies and tools, machinery and motor cleaning, lubricant application, degreasing, waterproofing and de-waxing fluids. It is not however suitable for use with acids.

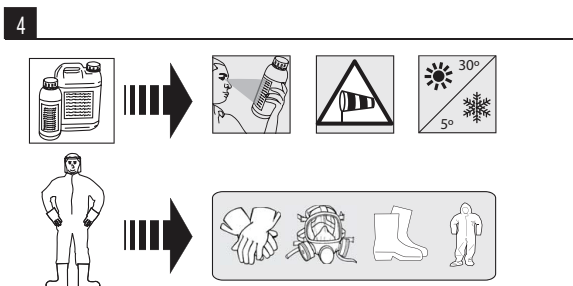
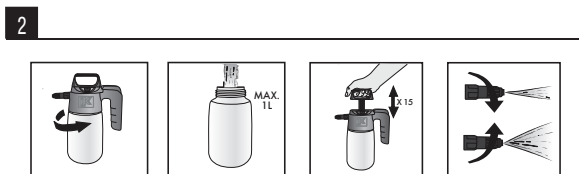
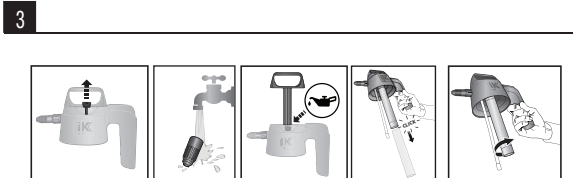
The easily accessed and wide filling opening provides a real benefit for safe and minimal spill filling of up to 1.45 litres of fluid and its ergonomic design makes it a pleasure to use.

Designed with one of the most user friendly pull/push handles the 6603A also features a 2.5 bar safety valve with depressurisation option, strong translucent tank with level indicator, protective valve chamber sleeve and adjustable conical nozzle.

A must for all automotive workshops, construction sites and industry in general, the 6603A multi-purpose fluid sprayer available from Alemlube is ideal for a wide range of cleaning activities and protective fluid applications.

#### TECHNICAL SPECIFICATIONS

Total capacity	1.5 Litres
Useful capacity	1 Litre
Net weight	0.46 kg
Gross weight	0.60 kg
Maximum pressure	2.5 bar - 42 psi
Litres/min	3 bar: 0.50 L/min
Joints and materials resistant to oils and most hydrocarbons and solvents	
2.5 bar safety valve	
Large filling aperture	
Ergonomic design	
Strong translucent tank with level indicator	
Protective sleeve for valve chamber	
Easy assembly and disassembly for maintenance	



# 6603A Multi-Purpose Fluid Sprayer

## APPLICATION

Industrial sprayer especially manufactured with highly resistant materials for use with animal and vegetable oils, hydrocarbon-based solvents, lubricants and petroleum products in applications such as: brake cleaning, tar removal from vehicle bodies and tools, machinery and motor cleaning, lubricant application; cleaning of car interiors, degreasing, wood treatments, waterproofing and de-waxing vehicles etc.

Given the great variety of products in the market, Alemlube cannot guarantee the universal validity of its equipment. In any case, we recommend using certified chemicals.

## SETTING UP & SPRAYING

1. Once the tank has been filled to the maximum level of 1 litre, screw the lid back on and pressurise the tank using a pumping action 15 times.
2. To commence spraying, press the handle as you go and offset pressure loss by giving more strokes.
3. When refilling, depressurise the device to open by pulling the safety valve.

## MAINTENANCE

1. After each use depressurise the sprayer and clean it with water.
2. In the event of a nozzle blockage, clean it with water and do not use metallic objects.
3. In order to prolong the life of the joints, regularly apply some drops of oil or grease on the moving parts.
4. To access the valve chamber (165), remove the cylinder guard by pulling it firmly.
5. To access the rod's O-ring (603), unscrew the piston and remove it until the O-ring is visible.

## USES AND SECURITY REGULATIONS

1. Always follow the instructions and dosages on the packaging labels that the manufacturer recommends for the chemical product to be used.
2. In order to avoid any swallowing of the product, do not eat, drink or smoke whilst handling the cleaning treatments.
3. Do not use the spray on any person, animal or electric installation.
4. Do not use the treatment when there is strong wind or extreme heat.
5. In case of poisoning, seek medical advice, taking the labelling of the chemical product with you.
6. Do not dump product or cleaning residues near water bodies, wells, etc... that will be utilised for use by – human or animal consumption.
7. Use appropriate safety equipment, mask, goggles, gloves, footwear etc in order to avoid contact of chemical products with skin, eyes and mouth.
8. Read the instructions for the sprayer before its use. Do not modify the sprayer. Do not connect it to an external pressure source (manual use only). Do not obstruct or strike the safety valve. Do not use the sprayer if it is damaged, deformed or altered from its original shape. Store the sprayer protected from frost and fierce heat (between 5° and 30° C).
9. Air pressure may be a dangerous factor, utilise the sprayer with caution.



NSW/ACT

TEL: (02. 9677 1555)  
FAX: (02. 9675 1155)

QLD/PNG

TEL: (07. 3204 9166)  
FAX: (07. 3204 1224)

VIC/TAS

TEL: (03. 8787 8288)  
FAX: (03. 8787 8266)

WA

TEL: (08. 9302 4199)  
FAX: (08. 9303 2095)

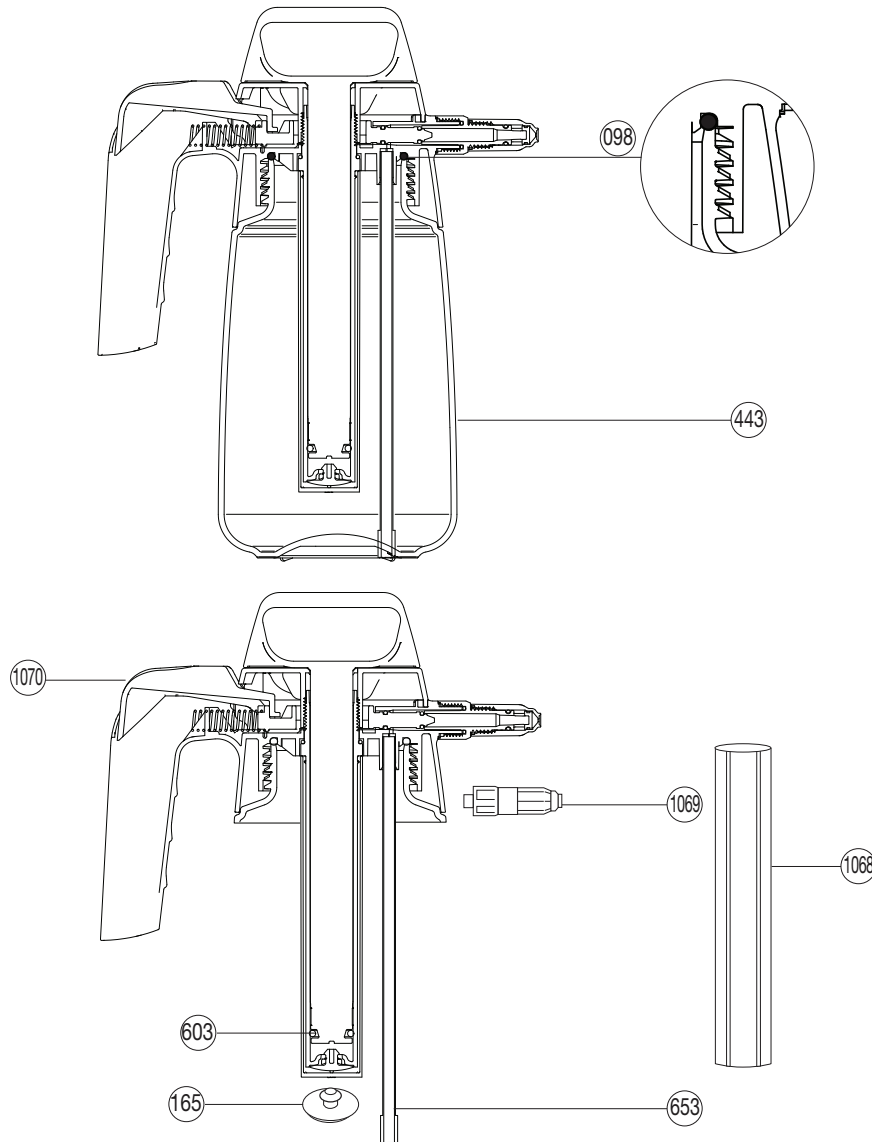
SA/NT

TEL: (08. 8241 7111)  
FAX: (08. 8241 7011)

NZ

TEL: (09. 447 1007)  
FAX: (09. 447 1008)

# Parts and Drawing Breakdown For 6603A Multi-Purpose Fluid Sprayer



## Ordering Spare Parts 6603A Spare Parts List

Item No.	Part No.	Description	Qty
098	6603A-2.23.16.990	Round Gasket	1
165	6603A-8.38.05.314.1	Chamber Valve	1
443	6603A-8.17.71.301	Tank	1
603	6603A-2.23.99.439.16	Round Gasket ø15	1
653	6603A-8.28.27.320	Tube with filter	1
1068	6603A-8.17.74.305	Cylinder Guard	1
1069	6603A-8.17.74.601	M-12 Adapter with adjustable conical nozzle	1
1070	6603A-8.17.74.801	Complete chamber	1
	6603A-8.17.74.200	Instruction sheet	1
	6603A-8.17.74.201	Packaging	1



NSW/ACT  
TEL: (02. 9677 1555  
FAX: (02. 9675 1155

QLD/PNG  
TEL: (07. 3204 9166  
FAX: (07. 3204 1224

VIC/TAS  
TEL: (03. 8787 8288  
FAX: (03. 8787 8266

WA  
TEL: (08. 9302 4199  
FAX: (08. 9303 2095

SA/NT  
TEL: (08. 8241 7111  
FAX: (08. 8241 7011

NZ  
TEL: (09. 447 1007  
FAX: (09. 447 1008